

9-11-55



## Turbo I Vac



### SERVICE

**Tool service and maintenance must be performed only by qualified repair personnel.**

**When servicing a tool, only use identical replacement parts available from FEIN.**

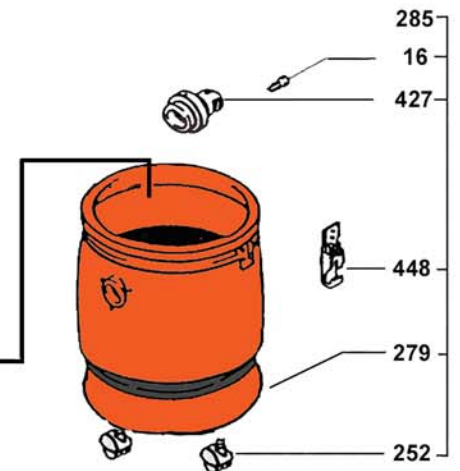
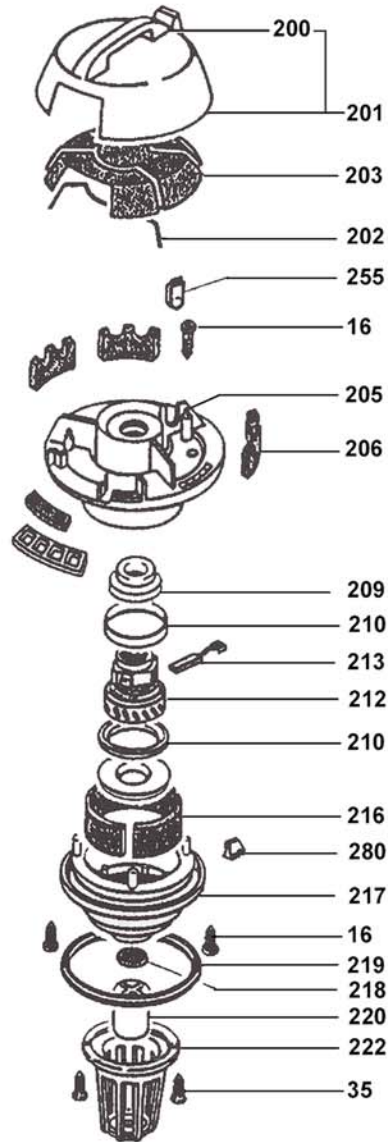
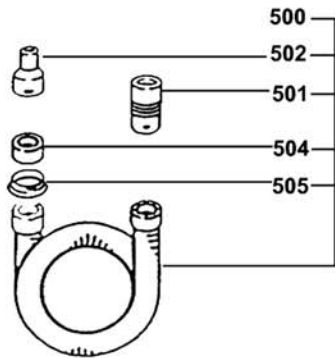
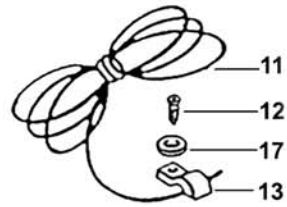
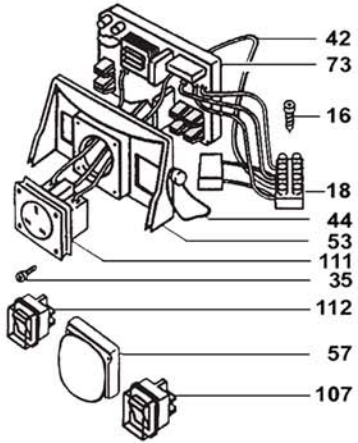
Repairs on FEIN Power Tools required the use of special tools (pulling devices and bearing press). Authorized repair centers have trained repair technicians and equipment necessary to perform these repairs. Service or repairs performed by unqualified persons could result in operator injury.

For the location of the repair center near you, please call 1-800-441-9878. Monday thru Friday, 9AM to 5PM EST. Or, look on our web site at [www.feinus.com](http://www.feinus.com) and follow the link to "Authorized Warranty Repair Centers"

**FEIN Power Tools  
1030 Alcon Street  
Pittsburgh, PA 15220**

Phone: 412-922-8886 Fax: 412-922-8767 Toll Free: 1-800-441-9878

November 29, 2005



**Turbo I Dust Extractor**  
**Model: 9-11-55**

**Fein Power Tools**

**9-11-55 Parts List**

<u>Item</u>	<u>Item Number</u>	<u>Description</u>	<u>Reqd</u>	
11	3-07-05-065-99-9	GROUNDING PLUG	1	_____
12	901A11A89	SCREW	1	_____
13	101035K00	CABLE CLAMP	1	_____
16	901A19A89	SCREW	13	_____
17	901D07AG87	WASHER	1	_____
18	905217000	TERMINAL BLOCK	1	_____
35	901A16A89	SCREW	7	_____
42	905391000	CABLE	1	_____
44	920056000	BUNGEE	1	_____
53	521006K13	FACE PLATE	1	_____
57	905278K15	RECEPTACLE COVER	1	_____
73	905331R00	AUTO START SWITCH	1	_____
107	905306000	SWITCH (ON/OFF)	1	_____
111	905398K13	RECEPTACLE	1	_____
112	905307A000	SWITCH (M/A)-WIDE	1	_____
200	521049AK50	HANDLE	1	_____
201	521049B50	COVER WITH HANDLE	1	_____
202	920021B00	COVER GASKET	1	_____
203	902033000	COVER SOUND PROOFING	1	_____
205	521002K13	COVER BAFFLE	1	_____
206	902048000	SIDE SOUND PROOFING	3	_____
209	920042000	MOTOR GASKET	1	_____
210	920039000	CHAMBER MOTOR GASKET	2	_____
212	918M5602U	MOTOR (110V)	1	_____
213	905317G02	CARBON BRUSHES (2)	1	_____
216	902036000	MOTOR SOUND PROOFING	1	_____
217	521003K13	MOTOR COVER	1	_____
218	902032A00	MOTOR FILTER	1	_____
219	920038000	GASKET (110V)	1	_____
220	521010K00	FLOAT	1	_____
222	521007K13	FLOAT VALVE CAGE	1	_____
252	521023W13	SWIVEL WHEELS	5	_____
255	920060000	PLUG	1	_____
279	521301A15	BUMPER	1	_____
280	920065000	PLUG	1	_____
285	523040J50	TANK	1	_____
427	521016A13	HOSE RECEPTACLE	1	_____
448	521017A13	LOCK LEVER	2	_____
500	921049GN1	16' HOSE	1	_____
501	921047K13	SLEEVE - VAC END	1	_____
502	921048K13	SLEEVE - TOOL END	1	_____
504	919067K13	CONNECTING RING	1	_____
505	919066A13	RING - HOSE	1	_____